

3.00mm(.118") Wire To Wire And Wire To Board Connector

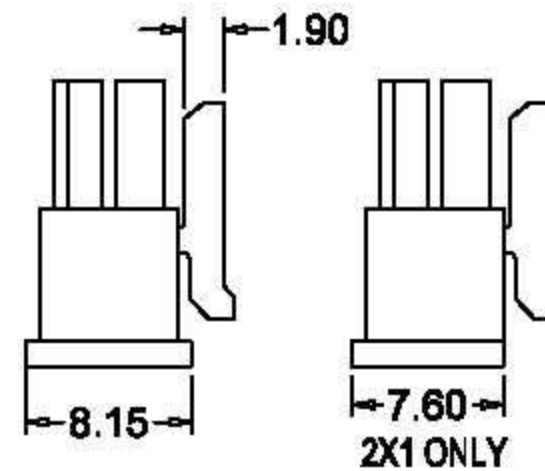
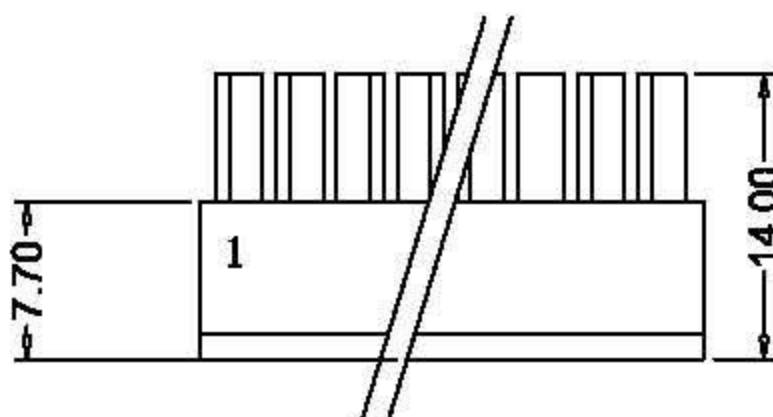
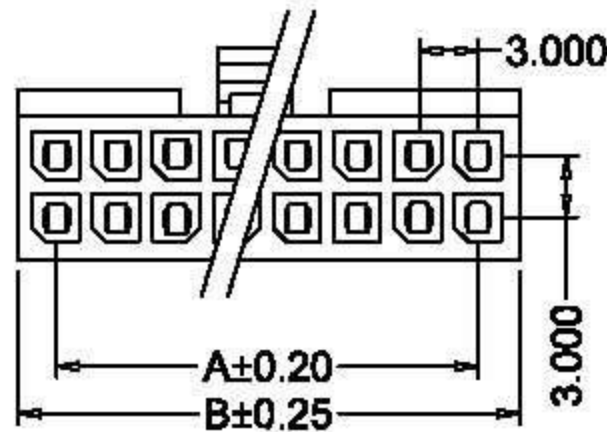
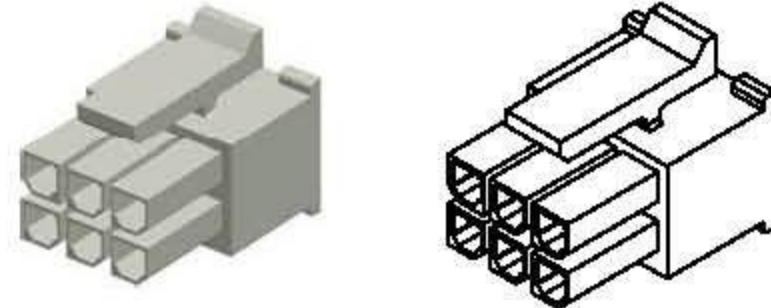


SPECIFICATIONS:

- Current Rating: 5AAC, DC
- Voltage Rating: 250V AC, DC
- Operating Temperature: V2: -25°C ~ +85°C
V0: -40°C ~ +130°C
- Contact Resistance: 10mΩ max.
- Insulation Resistance: 1000MΩ Min.
- Withstanding Voltage: 1500V AC/minute
- Material: Nylon66 UL94V-2/UL94V-0
- File No: E304945
- Terminal In Housing Retention Force Requirement: 2.5kg (Min.)

Shenzhen Hongru Connector Co., Ltd

Email: yukyli@hrb-connector.com
Tel: 86-0755 2709 6669
Fax: 86-0755 2709 2392
Skype: haiyuncheng-vivian
Mobile(whatsapp): 86-186 8112 3590
Website: <http://www.hrb-connector.com>



Ordering Information And Dimensions

Part NO.		Circuits	Dimensions		Part NO.		Circuits	Dimensions	
TYP UL94V-2	TYP UL94V-0		Dim:A	Dim:B	TYP UL94V-2	TYP UL94V-0		Dim:A	Dim:B
P3025-2x1-B-H	P3025-2x1-W-H	2	—	5.30	P3025-2x7-B-H	P3025-2x7-W-H	14	18.00	21.85
P3025-2x2-B-H	P3025-2x2-W-H	4	3.00	6.85	P3025-2x8-B-H	P3025-2x8-W-H	16	21.00	24.85
P3025-2x3-B-H	P3025-2x3-W-H	6	6.00	9.85	P3025-2x9-B-H	P3025-2x9-W-H	18	24.00	27.85
P3025-2x4-B-H	P3025-2x4-W-H	8	9.00	12.85	P3025-2x10-B-H	P3025-2x10-W-H	20	27.00	30.85
P3025-2x5-B-H	P3025-2x5-W-H	10	12.00	15.85	P3025-2x11-B-H	P3025-2x11-W-H	22	30.00	33.85
P3025-2x6-B-H	P3025-2x6-W-H	12	15.00	18.85	P3025-2x12-B-H	P3025-2x12-W-H	24	33.00	36.85

